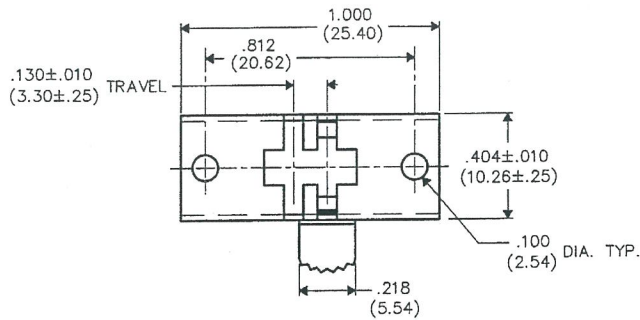


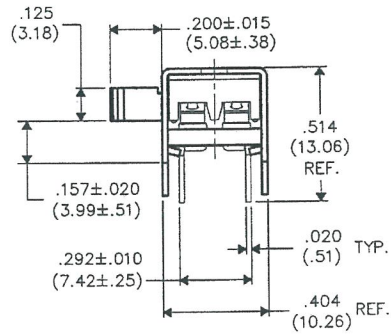
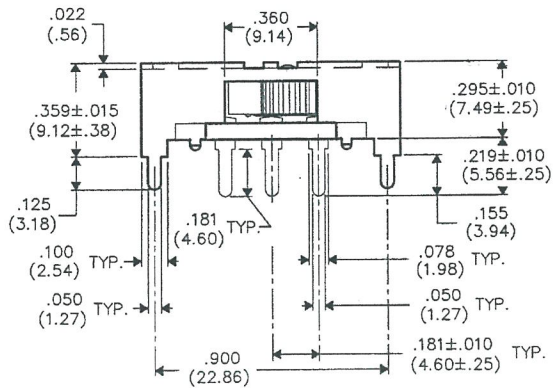
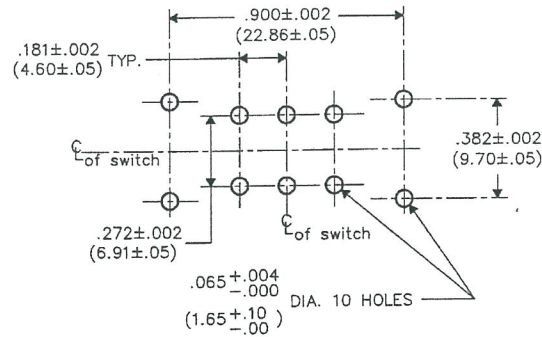
DIMENSIONS IN INCHES (MILLIMETERS)
DO NOT SCALE DRAWING

Dwg. No.
GPI-152-0000

E
D
C
B
A



P.C. LAYOUT



1 2 3 4 5 6 7 8 9 10

B-FORMAT 2002
REVISIONS
0
RELEASED. DCW 2-06-2006
FEB 16 2006

ATTENTION
THIS DRAWING AND ITS ATTACHMENTS, IF ANY, ARE PROPRIETARY TO CW INDUSTRIES AND DESCRIBE DESIGNS THAT ARE CONFIDENTIAL AND MUST NOT BE DISCLOSED UNLESS AUTHORIZED, IN WRITING, BY AN OFFICER OF CW INDUSTRIES.....

CW INDUSTRIES Southampton, Pa. 18966		Title: SWIDGET ASSEMBLY D.P.- D.T. SYDEWYNDER (PLUG-IN)	
TOLERANCES UNLESS OTHERWISE SPECIFIED		Division: SWITCH	
2 Place Decimal ±.010	METRIC	Dwg. No. GPI-152-0000	
3 Place Decimal ±.005	1 Place Dec. ±.25mm	Checked by: <i>G. Guld 2-16-06</i>	
Angles ±1'	2 Place Dec. ±.13mm	Approval: <i>[Signature]</i> 2-16-06	
Made for: CW IND.	Dwg. No. GPI-152-0000		
Drawn by: DGW 2-06-2006	Dwg. No. GPI-152-0000		
Checked by: <i>G. Guld 2-16-06</i>	Dwg. No. GPI-152-0000		
Approval: <i>[Signature]</i> 2-16-06	Dwg. No. GPI-152-0000		

MASTER